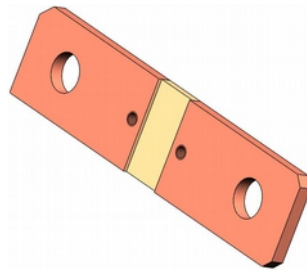


# Manganin Shunt Resistor for High Precision Current Measurement



## Description

The R100-BAR-03 shunt resistor is a precision Cu-Mn resistance. It consists of a copper busbar with hole terminals for easy installation.

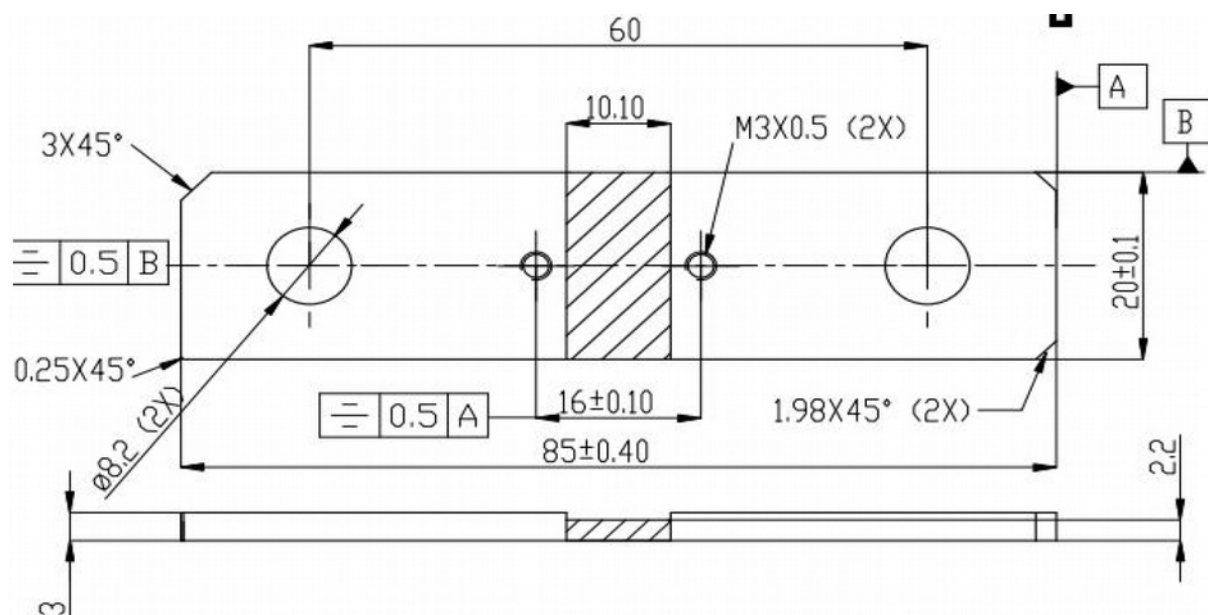
The shunt is designed for precision current measurement with high thermal stability in instruments, industrial, and automotive applications, typically including energy meters, ampere meters, power inverters, and battery current monitoring.

## Characteristics

Parameter	Typical Value	Unit
Resistance	100 (*)	$\mu\text{Ohm}$
Accuracy of absolute resistance	5	%
Resistivity temperature coefficient	$\pm 50$	ppm/K
Operation temperature range	-50 ... 150	$^{\circ}\text{C}$
Continuous power	7	W
Maximum power	36	W
Inductance	<5	nH

(\*) available resistance values:  $50\mu\text{Ohm}$ ,  $75\mu\text{Ohm}$ , ...,  $250\mu\text{Ohm}$

## Geometry



**Please contact us at**



maglab GmbH

Güterstrasse 141  
CH-4053 Basel  
Switzerland

+41 61 261 16 44  
info@maglab.ch  
www.maglab.ch



Permanent Magnets Ltd.

B-3, MIDC Industrial Area, Mira-gaon  
Miraroad-East, Thane-401104, Maharashtra  
India

+91 22 29 45 21 21  
shuntinquiry@pml.in  
www.pmlindia.com