

Laminated U-Shields

“Laminated U-Shields for Contactless, High-Speed Current Sensors”

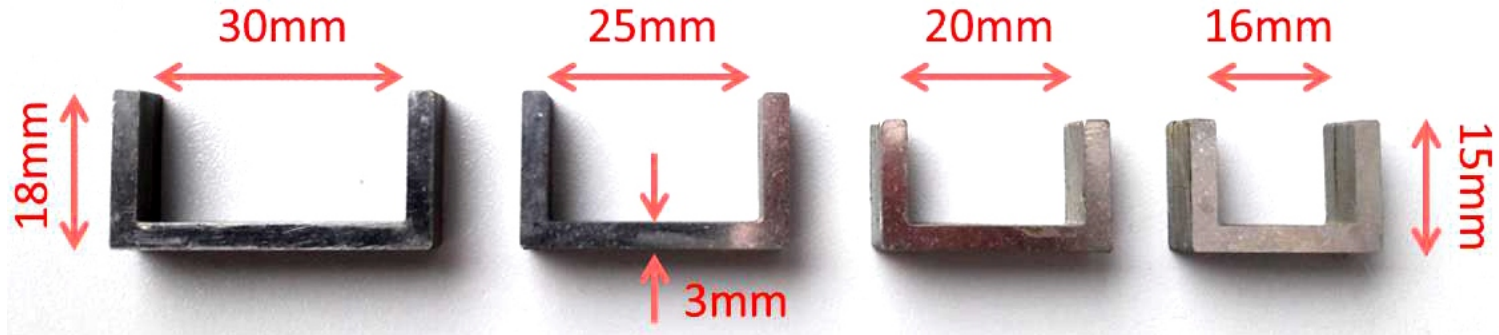
Overview of Available Products

Dec/2018

P. Krummenacher

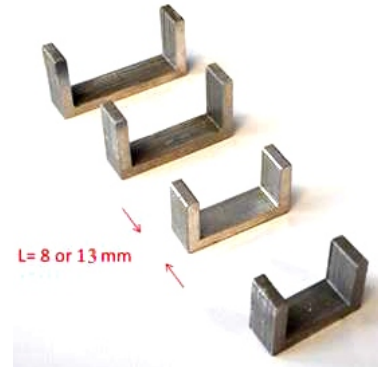
Shield Widths and Lengths

- Available shield widths: 15mm to 30mm



- Available shield lengths:

- + 8mm
- + 13mm



Shield Drawing

- Mechanical drawing LU-Shield-W-L-H-T
- Order code example: LU20-13-15-3

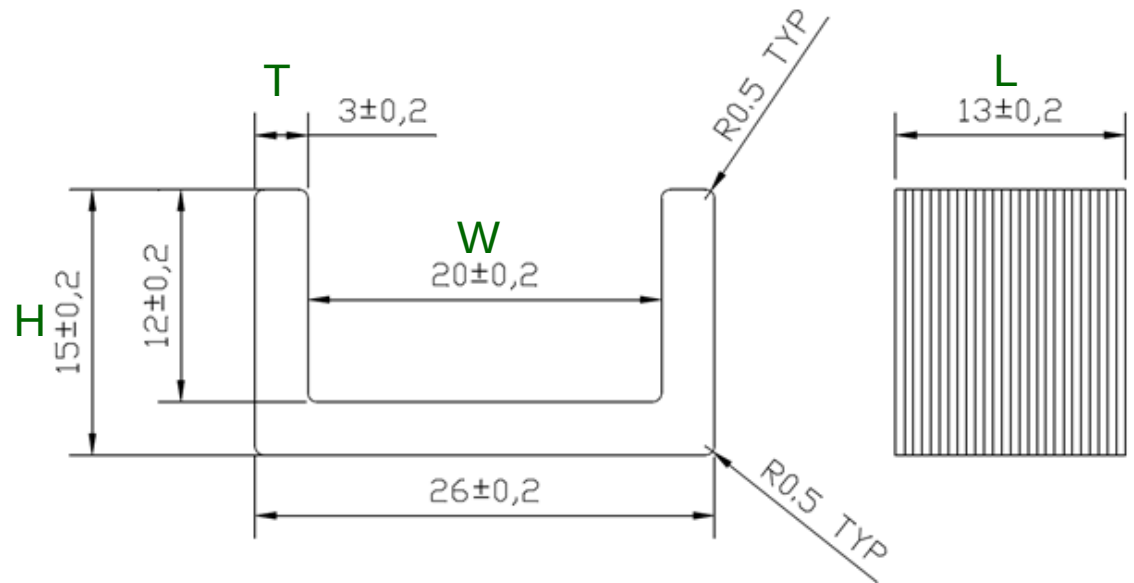
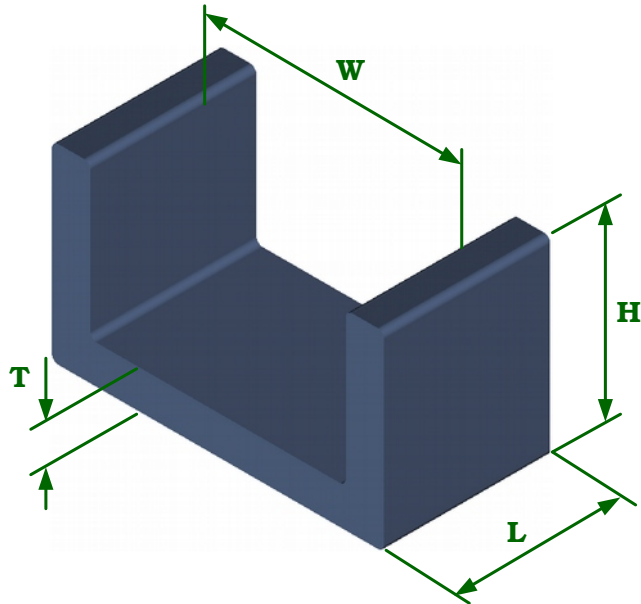


Table of Shield Geometries*

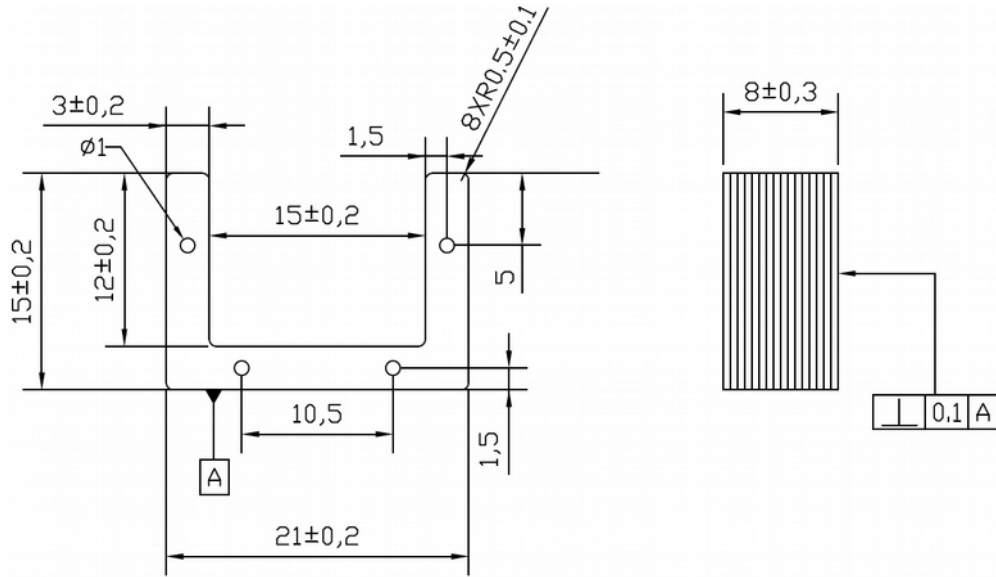
Order code	W	L	H	T	Type ¹
LU15-8-15-3-NiFe	15	8	15	3	Ni-Fe
LU15-8-15-3-SiFe	15	8	15	3	Si-Fe
LU15-13-15-3-(NiFe/SiFe)	15	13	15	3	Ni-Fe/Si-Fe
LU20-8-15-3-(NiFe/SiFe)	20	8	15	3	Ni-Fe/Si-Fe
LU20-13-15-3-(NiFe/SiFe)	20	13	15	3	Ni-Fe/Si-Fe
LU25-8-18-3-(NiFe/SiFe)	25	8	18	3	Ni-Fe/Si-Fe
LU25-13-18-3-(NiFe/SiFe)	25	13	18	3	Ni-Fe/Si-Fe
...					

* other geometries are available on request

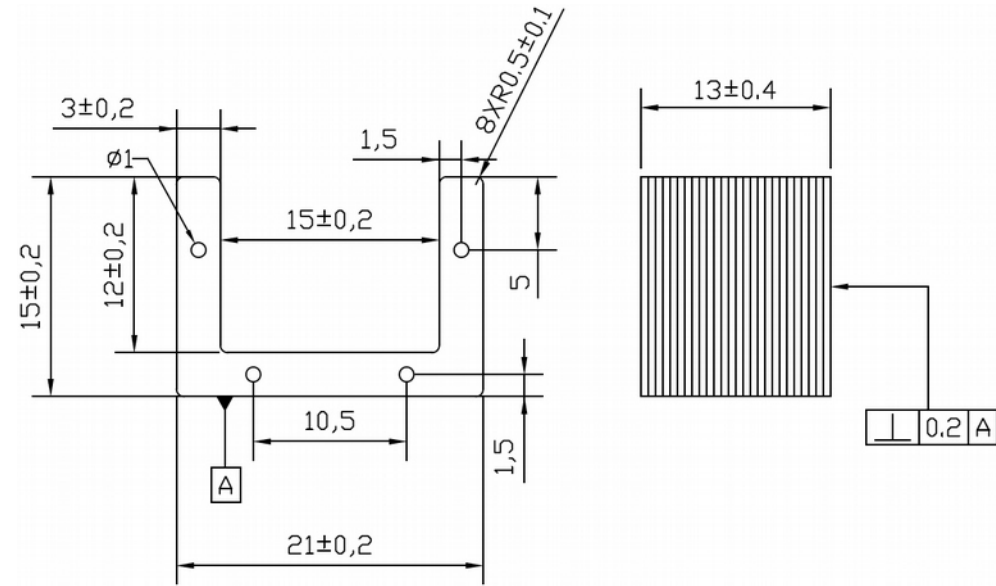
¹ all geometries are available with Ni-Fe or Si-Fe material

LU15

LU15-8-15-3

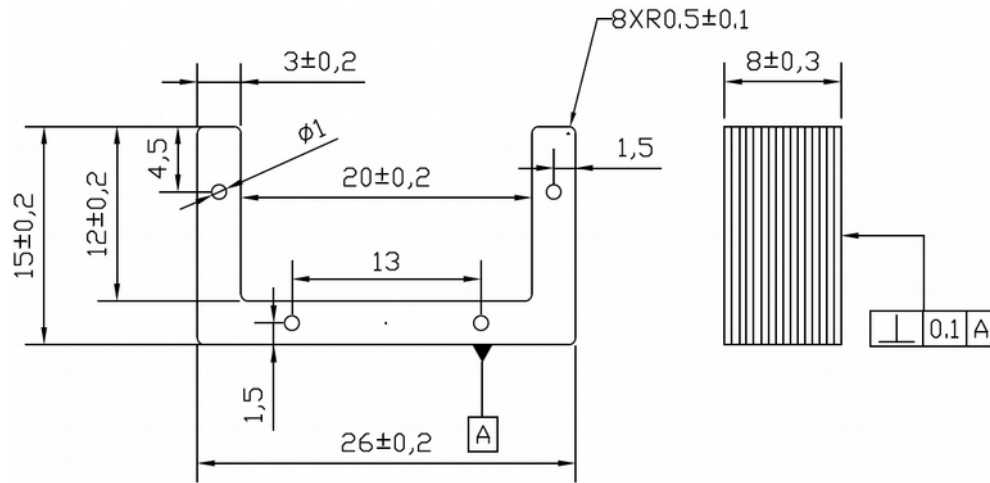


LU15-13-15-3

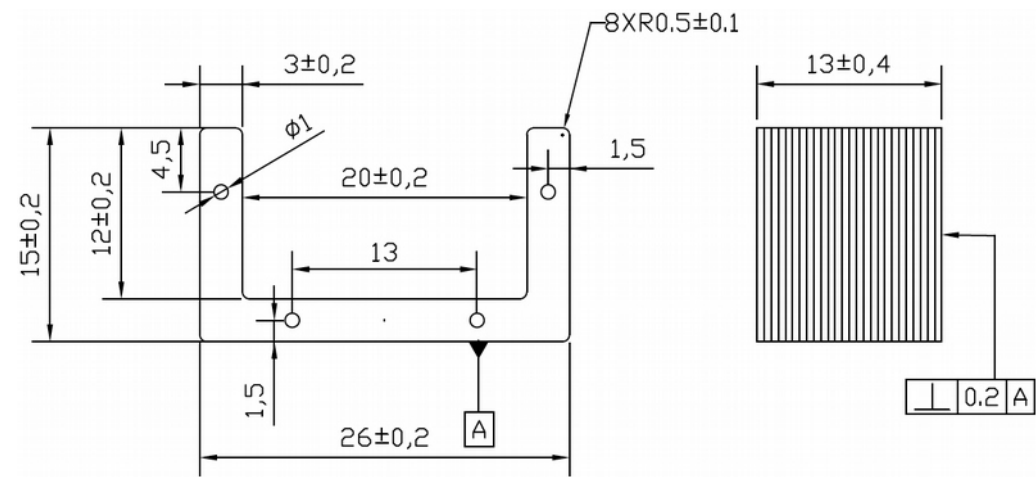


LU20

LU20-8-15-3

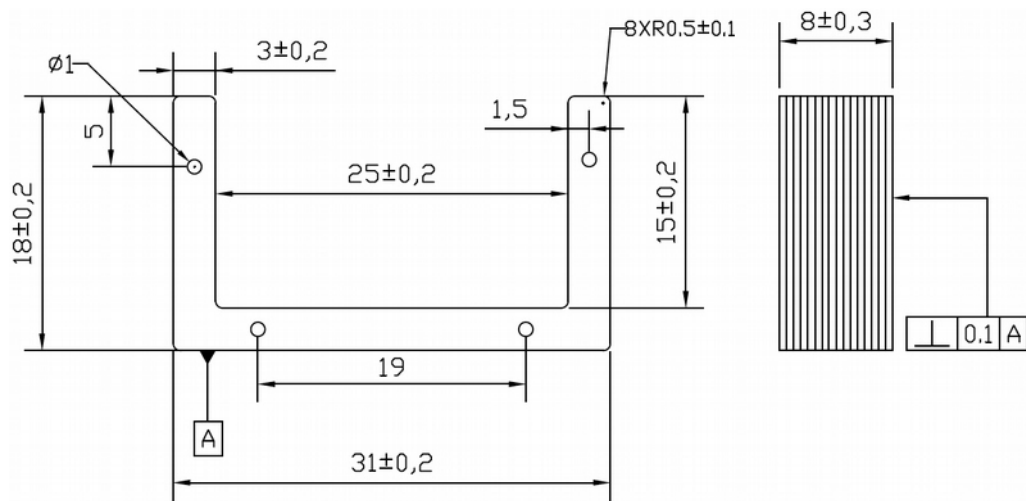


LU20-13-15-3

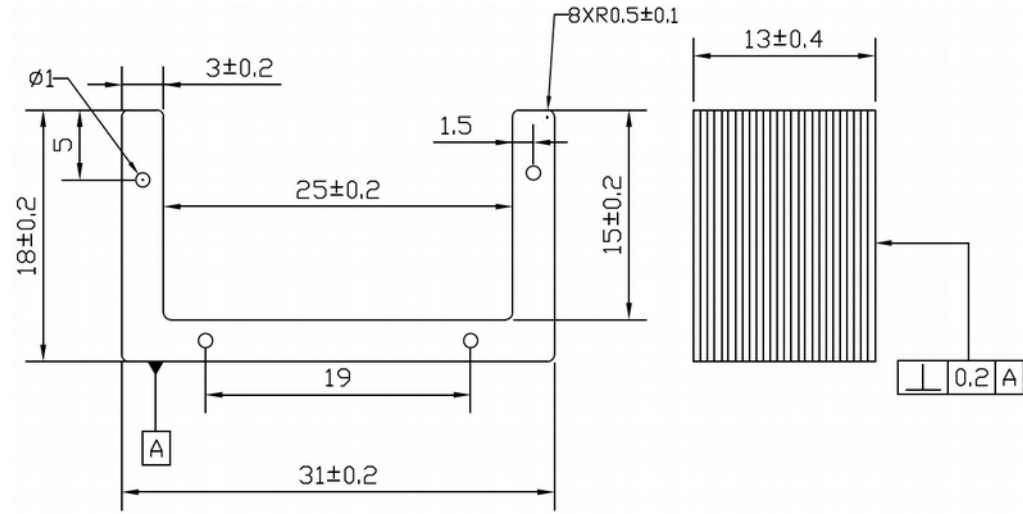


LU25

LU25-8-18-3



LU25-13-18-3



Conclusions

- Laminated U-shaped shields for contactless current sensing up to 1500A
- Laminated design for high-speed applications
- Shielding and immunity against external magnetic fields

Thank you for choosing maglab | PML



maglab GmbH
Güterstrasse 141
CH-4053 Basel
Switzerland
Phone: +41 61 261 16 46
info@maglab.ch
www.maglab.ch



Permanent Magnets Ltd.
Plot no 22, Mira Co Operative Industrial
Estate Miraroad-East, Thane-401104,
Maharashtra, India
Phone: +91 22 28 45 41 64
sales@pml.in
www.pmlindia.com