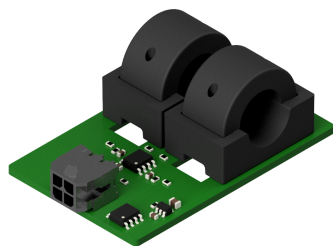


# MDC-DR-10S-A

## Dual Range Current Sensor with Analog Output

---

### 1 General Description



The DR-10S-A is a dual range current Sensor for safety critical application, offering two independent analog outputs. Thanks to the non-intrusive clamp-on design, the sensor can be easily installed without requiring any disconnection, which makes it ideal for retrofit installations in industrial, IoT and metering applications. Furthermore, a broad dynamic range of currents can be measured and no calibration is required by the customer.

Supplied with a DC voltage of 5V or 10V, the module provides a linear analog output voltage between 0.5V and 4.5V or 1V to 9V as a function of the primary input current. Thanks to its properties, DR-10S-A offers an excellent linearity error, below 0.5 %FS. Thanks to the integrated Melexis IMC-Hall<sup>®</sup> current sensor, the sensor module provides excellent offset as low as  $\pm 5\text{mV}$  and sensitivity drift of 1 % over full temperature range.

The module has a dual range output. Each Hall-Sensor will generate a signal, depending on the current range maximum.

### 2 Features

- Input Voltage: 5 VDC or 10 VDC
- Hall-Sensor Measurement
- Temperature Range: 10° to 85°C
- Low Offset Drift <5 mV
- Low Sensitivity drift <1 %
- DC and AC up to 30kHz

### 3 Advantages

- Snap-Fit installation
- Non intrusive sensing
- Small Size, Lightweight
- Excellent output linearity
- Dual Range Signal Output

### 4 Applications

- Industrial
- E-metering
- E-mobility
- Photovoltaic
- Redundant measurements
- Battery management system

# Table of Contents

<b>1</b>	<b>General Description</b>	<b>1</b>
<b>2</b>	<b>Features</b>	<b>1</b>
<b>3</b>	<b>Advantages</b>	<b>1</b>
<b>4</b>	<b>Applications</b>	<b>1</b>
<b>5</b>	<b>Revision History</b>	<b>2</b>
<b>6</b>	<b>Ordering Information</b>	<b>3</b>
<b>7</b>	<b>Absolute Maximum Ratings</b>	<b>3</b>
<b>8</b>	<b>General Electrical Specification</b>	<b>4</b>
<b>9</b>	<b>Analog Output Specification</b>	<b>4</b>
9.1	Accuracy Specification	4
9.2	Timing and Frequency Specification	5
<b>10</b>	<b>Application Diagram</b>	<b>5</b>
<b>11</b>	<b>Typical performance</b>	<b>5</b>
11.1	MDC-DR-10S-A-500-201	5
<b>12</b>	<b>Dimensions</b>	<b>6</b>
<b>13</b>	<b>Disclaimer</b>	<b>7</b>

## 5 Revision History

<b>Revision/Changes</b>	<b>Page</b>
• Revision A: initial datasheet	all

---

## 6 Ordering Information

MDC-DR-10S-A(Product) XXX\_XXX(Option Code)

Option Codes  $\Rightarrow$  Current Range. Current Range defines the peak current value.

Product	Option Code	Typical Sensitivity	Current Range
MDC-DR-10S-A	250_101	80.00 / 20.00 mV/A	$\pm 25$ / $\pm 100$ A
MDC-DR-10S-A	500_201	40.00 / 10.00 mV/A	$\pm 50$ / $\pm 200$ A

Contact maglab AG for a different sensitivity requirement

## 7 Absolute Maximum Ratings

**Table 1: Absolute Maximum Ratings**

Parameter	Symbol	Value	Unit
Positive Supply Voltage	$V_{DD}$	+10	V
Reverse Supply Voltage	$V_{DDREV}$	-0.3	V
Positive Output Voltage	$V_{OUT}$	+10	V
Reverse Output Voltage	$V_{OUTREV}$	-0.3	V
Output Current	$I_{OUT}$	$\pm 50$	mA
Reverse Output Current	$I_{OUTREV}$	-50	mA
Ambient Temp.	$T_A$	0 to +105	$^{\circ}\text{C}$

IMPORTANT: exceeding the absolute maximum ratings may cause permanent damage to the sensor module. Exposure to absolute maximum-rated conditions for extended periods of time may affect sensor module reliability.

## 8 General Electrical Specification

Operating Parameters  $T_A = +10$  to  $+85$  °C,  $V_{DD} = 5V \pm 10\%$ , unless otherwise specified.

**Table 2: Electrical Specification**

Parameter	Symbol	Condition	Min.	Typ.	Max.	Unit
Nominal Supply Voltage	$V_{DD}$		4.5	5	5.5	V
Supply Current	$I_{DD}$	No output load	18	25	30	mA
Output Resistive Load	$R_L$	For high linearity	10	25	200	k $\Omega$
Linear Output Range	$V_{OUTLIN}$	$R_L \geq 10k\Omega$	10		90	% $V_{DD}$
Broken GND Ouptut Level		$R_L \geq 10k\Omega$ , $V_{DD} = 5V$	96		100	% $V_{DD}$
Broken VDD Ouptut Level		$R_L \geq 10k\Omega$ , $V_{DD} = 5V$	0		4	% $V_{DD}$
Primary Current	$I_{PN}$	$R_L \geq 10k\Omega$ , $V_{DD} = 5V$	10		250	Apk
Output Quiescent Voltage	$V_{OQ}$	$R_L \geq 10k\Omega$ , $V_{DD} = 5V$		50		% $V_{DD}$

## 9 Analog Output Specification

### 9.1 Accuracy Specification

Operating Parameters  $T_A = +10$  to  $+85$  °C,  $V_{DD} = 5V \pm 10\%$ , unless otherwise specified.

**Table 3: Accuracy specification**

Parameter	Symbol	Condition	Min.	Typ.	Max.	Unit
Thermal Offset Drift	$\Delta^T V_{OQ}$			$\pm 5$		mV
Thermal Sens. Drift	$\Delta^T S$			$\pm 1$		%S
RMS Output Noise	$N_{RMS}$			8		mV $_{RMS}$
$V_{OQ}$ Ratiometry	$\Delta^R V_{OQ}$	$V_{DD} = 5V \pm 10\%$		$\pm 0.4$		% $V_{OQ}$
Sensitivity Ratiometry	$\Delta^R S$	$V_{DD} = 5V \pm 10\%$		$\pm 0.4$		% $V_{OQ}$

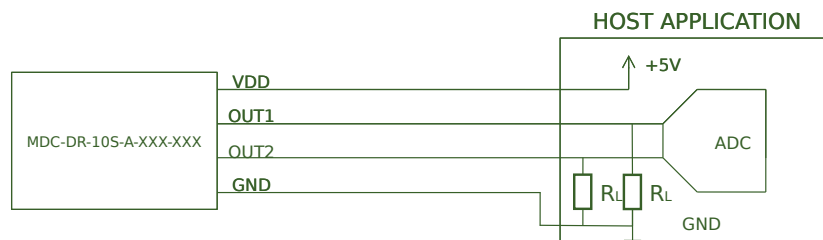
## 9.2 Timing and Frequency Specification

Operating Parameters  $T_A = +10$  to  $+85$  °C,  $V_{DD} = 5V \pm 10\%$ , unless otherwise specified.

**Table 4: Timing Specification**

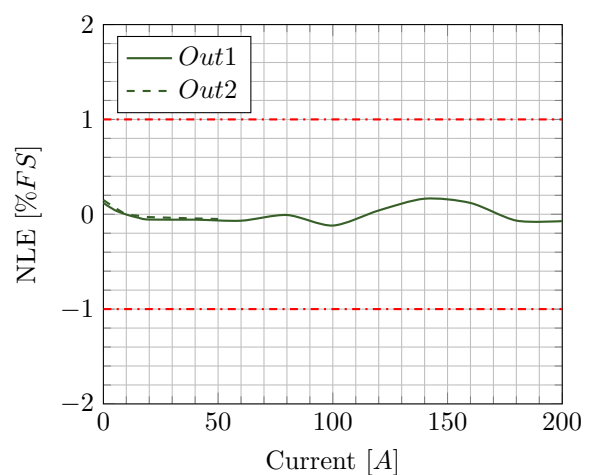
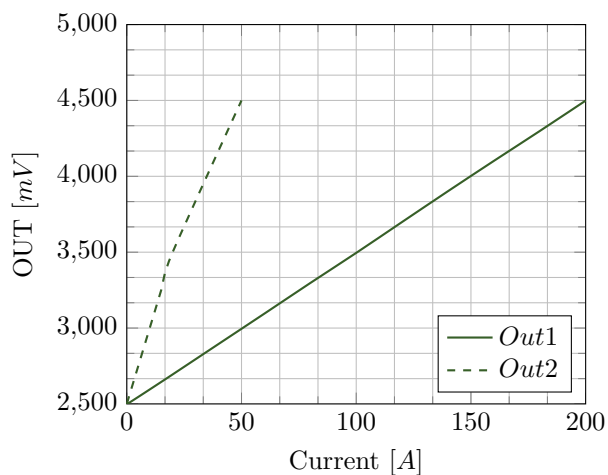
Parameter	Symbol	Condition	Min.	Typ.	Max.	Unit
Refresh Rate	$T_{RR}$			1		$\mu s$
Step Response Time	$T_R$	Delay time to 90% of $I_{PN}$		2	3	$\mu s$
Bandwidth	$BW$			30		$kHz$

## 10 Application Diagram

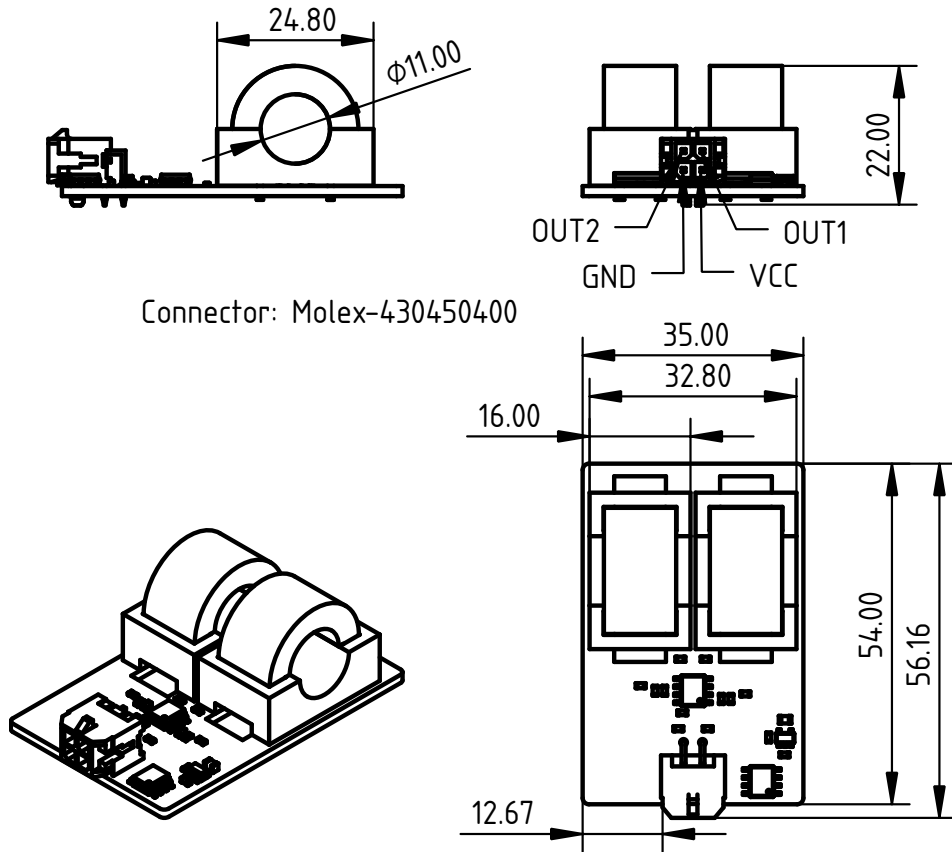


## 11 Typical performance

### 11.1 MDC-DR-10S-A-500-201



## 12 Dimensions



## 13 Disclaimer

maglab AG provides technical and reliability data, design, reference designs, advice, web tools and other resources "as is". maglab AG disclaims (i) any and all liability in connection with or arising out of the furnishing, performance or use of the technical data or use of the product(s) as described herein ("Product") (ii) any and all liability, including without limitation, special, consequential or incidental damages, and (iii) any and all warranties, express, statutory, implied, or by description, including warranties of fitness for particular purpose, non-infringement and merchantability. These resources are intended for skilled developers. You are solely responsible for (1) selecting the appropriate maglab products for your application, (2) designing, validating and testing your application, and (3) ensuring your application meets applicable standards, and any other safety, security, or other requirements. These resources are subject to change without notice.

maglab's products are provided subject to maglab's terms and conditions as specified in the Terms and Conditions ([www.maglab.ch/terms-conditions](http://www.maglab.ch/terms-conditions)) or other applicable terms provided in conjunction with such maglab products or offer.

Mailing Address: maglab AG, Güterstrasse 141, CH-4053 Basel Copyright ©2022, maglab AG