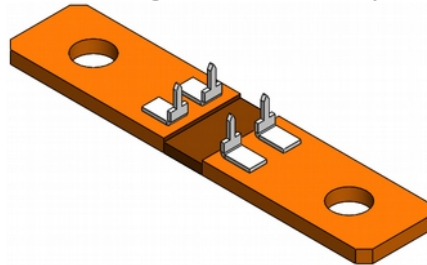


Manganin Shunt Resistor

High Precision Current Measurement | Fully Redundant Sense Pins | Highest Safety Standards



Description

The R100-BAR-12A shunt resistor is a precision Cu-Mn resistance. It consists of a copper busbar with hole terminals for easy installation and four solderable pin-type sense contacts providing fully redundant sensing of the electric current via shunt voltage.

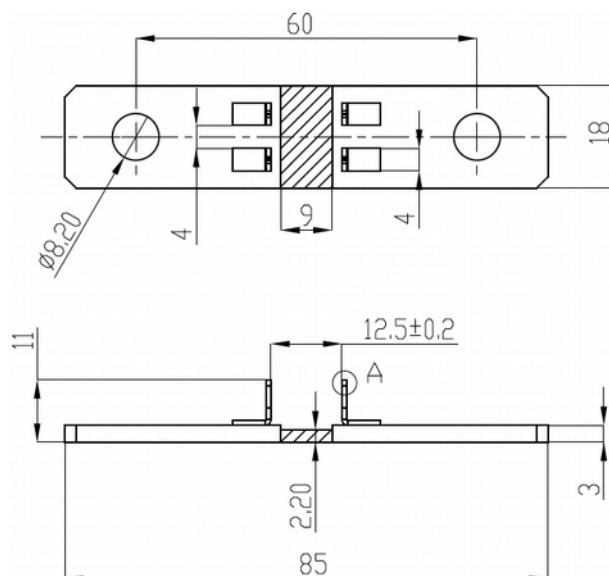
The shunt is designed for precision current measurement with highest safety level, high thermal stability in industrial, and particularly automotive applications, typically including power inverters, motor control, and battery current monitoring with most demanding safety requirements.

Characteristics

Parameter	Typical Value	Unit
Resistance	100 (*)	μOhm
Accuracy of absolute resistance	5	%
Resistivity temperature coefficient	± 50	ppm/K
Operation temperature range	-50 ... 150	$^{\circ}\text{C}$
Continuous power	7	W
Maximum power	36	W
Inductance	<5	nH

(*) available resistance values: 50 μOhm , 75 μOhm , ..., 250 μOhm

Geometry



Please contact us at



maglab AG

Güterstrasse 141
CH-4053 Basel
Switzerland

+41 61 261 16 44
info@maglab.ch
www.maglab.ch



Permanent Magnets Ltd.

B-3, MIDC Industrial Area, Mira-gaon
Miraroad-East, Thane-401104, Maharashtra
India

+91 22 62 16 54 00
shuntinquiry@pml.in
www.pmlindia.com